

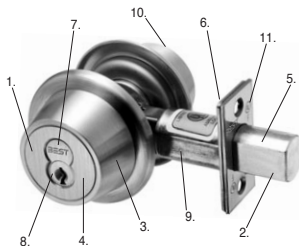


T SERIES

TUBULAR DEADBOLTS



DEADBOLT FEATURES



83T Deadbolt



UL Listed for both Canada and the US.

Products protected by one or more of the following patents:

4,301,667 D290,085 4,843,852 Other Patents Pending

- No exposed mounting screws standard on 82T/83T double cylinder M function only (available as an option on 82T/83T K, L, and S function)
- Full 1" stainless steel throw deadbolt
- Free-turning, wrench-resistant, tapered cylinder ring
- 82T/83T**—solid extruded brass or bronze cylinder
72T/73T—solid cast zinc with brass or bronze shell
- Stainless steel for strength and corrosion resistance
- Simple installation; self-aligning and reversible
- May be keyed into existing Best masterkeyed system
- The original interchangeable core permits instant, economical re-lock
- 82T/83T**—American National Standard ANSI A156.5-1992 Auxiliary Locks, Grade 1 with 1CD Core and 8TS1 strike
72T/73T—American National Standard ANSI A156.5-1992 Auxiliary Locks, Grade 2
- ADA turn lever (Not shown)
- Deadbolt UL listed for use as auxiliary lock type on 3 hr. fire doors (GWXT). These locks also carry the C-UL mark which is now officially accepted in all of Canada, indicating compliance with appropriate Canadian standards and codes

SPECIFICATIONS

Deadbolt: 72T/73T— 1" throw, $\frac{5}{8}$ " x $\frac{7}{8}$ " bolt. Brass nickel plated, with concealed hardened steel free-turning pin. Housing fits 1" bore. **82T/83T**— 1" throw, $\frac{5}{8}$ " x $\frac{7}{8}$ " solid stainless steel bolt. Housing fits 1" bore.

Faceplate: Brass or bronze base material.

72T/82T— 1" x 2 $\frac{1}{4}$ ",
73T/83T— 1 $\frac{1}{8}$ " x 2 $\frac{1}{4}$ "

Backset: 72T/82T— 2 $\frac{3}{4}$ ", 73T/83T— 2 $\frac{3}{4}$ "

Trim: wrought brass or bronze cylinder rose or turn lever rose, 2 $\frac{3}{4}$ " dia. to cover 2 $\frac{1}{8}$ " bore. Machined brass or bronze cylinder ring.

Cylinders: **82T/83T**— Machined from extruded brass or bronze bar stock. **72T/73T**— Zinc casting with stamped brass or bronze shell

Strikes:

8TSTK— rectangular 1 $\frac{1}{8}$ " x 2 $\frac{3}{4}$ " (Std.)

8TS1— curved lip 1 $\frac{1}{4}$ " x 4 $\frac{3}{4}$ " (ANSI A115.2)

8TS4— curved lip 1 $\frac{1}{8}$ " x 2 $\frac{3}{4}$ " (ANSI A115.3)

8TS5— high security rectangular 1 $\frac{1}{4}$ " x 4 $\frac{3}{4}$ " (ANSI A115.1)

Door thickness: Fits 1 $\frac{3}{4}$ " doors (standard)

72T/73T: fits doors - from 1 $\frac{3}{8}$ " to 2 $\frac{1}{8}$ "

82T/83T: fits doors - from 1 $\frac{3}{8}$ " to 3"

Finishes:

72T/73T: 612—satin bronze, 626—satin chromium,

82T/83T: 605—bright brass, 606—satin brass, 611—bright

bronze, 612—satin bronze, 613—dark oxidized satin,

625—bright chromium, 626—satin chromium

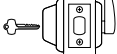

HOW TO ORDER:

83T	7	K	STK	606		
Backset	Core Housing	Function Code	Strike	Standard Finishes	Options	
72T—2 $\frac{3}{8}$ " 73T—2 $\frac{3}{4}$ " 82T—2 $\frac{3}{8}$ " 83T—2 $\frac{3}{4}$ "	7—7 pin housing accepts all Best cores	see page 3	STK— standard deadbolt 82T/83T only S1— high security S4— curved lip S5— high security deadbolt (630 finish only)	72T/73T: 612 626 82T/83T: 605 606 611 612 613 625 626 690	CS— concealed screws (82T/83T only) D5— drive-in bolt (82T/83T only) LL— lead lined (83T only) NF— narrow face 1" (std. 82T) SH— security head screws (82T/83T only) WF— wide face 1 $\frac{1}{8}$ " (std. 83T) Door thickness — specify if other than 1 $\frac{3}{4}$ " (82T/83T only)	

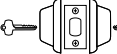
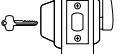
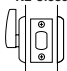
**Must specify key mark and number of keys or designate L/C for less core.



BEST TUBULAR ACCESS SYSTEMS DEADBOLTS

Function & Diag. ANSI (Fed. No.) K-Turnknob	Deadbolt operated by...
	<ul style="list-style-type: none"> Turning the key in the outside cylinder, QR Turning the inside turn lever.
E2151, E2152 (181K)	
L-One-Way Deadbolt	Turning the key in the outside cylinder; the inside cylinder is blank
	
E2161, E2162 (181L)	

***ATTENTION:** Locksets that secure both sides of the door are controlled by building codes and the Life Safety Code. In an emergency exit situation, failure to quickly unlock the deadbolt could be hazardous or even fatal.

Function & Diag. ANSI (Fed. No.) *M-Double-Cylinder	Deadbolt operated by...
	<ul style="list-style-type: none"> Turning the key in the inside or outside cylinder. The inside mounting screws are concealed.
E2141, E2142 (181M)	
S-Classroom	Turning the key in the outside cylinder, QR
	<ul style="list-style-type: none"> Turning the inside turn lever only retracts the deadbolt (available ONLY in 82T/83T)
E2171 (181S)	Note: Can't throw the deadbolt.
KL-Closet	Turning the turn lever only (available ONLY in 82T/83T)
	

82T/83T TUBE ASSEMBLIES



82TDB Deadbolt Tube Assembly

Bolt throw – 1"
Backset – 2 3/8"
Faceplate – brass or bronze 1" x 2 1/4". self-adjusting & reversible for either door hand.
Tube – steel, fits 1" diameter bore.
To order without trim – 82TDB and finish.



82TD5 Drive-in Bolt Tube Assembly

Bolt throw – 1"
Backset – 2 3/8"
Faceplate – brass or bronze, circular
Tube – steel, fits 1" diameter bore.
To order without trim – 82TD5 and finish.



83TDB Deadbolt Tube Assembly

Bolt throw – 1"
Backset – 2 3/8"
Faceplate – brass or bronze 1 1/8" x 2 1/4". self-adjusting & reversible for either door hand.
Tube – steel, fits 1" diameter bore.
To order without trim – 83TDB and finish.



83TD5 Drive-in Bolt Tube Assembly

Bolt throw – 1"
Backset – 2 3/8"
Faceplate – brass or bronze, circular.
Tube – steel, fits 1" diameter bore.
To order without trim – 83TD5 and 626 finish.

PATENTED KEYING

BEST Peaks® – For advanced solutions in key control and security, BEST offers Peaks®, the most adaptable and cost effective patented keying system on the market. The patented mechanism ensures that cylinders and cores will only operate with the Peaks® keys, which are only available through authorized BEST distributors.

For BEST products, Peaks® offers the security and convenience of a patented solution for interchangeable core. Peaks® is also available to adapt to a wide variety of locks from other manufacturers. All cylinders can be keyed into the same system, providing you the ability to operate all the locks at your facility using a single key, regardless of the lock manufacturer.

BEST Peaks®
Patented Keying

STRIKES

**8TSTK Standard Strike**

Dimensions— $1\frac{1}{8}'' \times 2\frac{3}{4}''$
(Supplied with box and screws).

To order with unit— STK.
To order without unit— 8TSTK and finish.

**8TS4 Strike**

Dimensions— $1\frac{1}{8}'' \times 2\frac{3}{4}''$
with curved lip. (Supplied with box and screws).

To order with unit— S4
To order without unit— 8TS4 and finish.

**8TS1 Strike**

Dimensions— $1\frac{1}{4}'' \times 4\frac{7}{8}''$
(ANSI 115.1) (Supplied with box and screws).

To order with unit— S1
To order without unit— 8TS1 and finish.

**8TS5 High Security Strike**

Dimensions— $1\frac{1}{4}'' \times 4\frac{7}{8}''$
(Supplied with box and long screws).

To order with unit— S5
To order without unit— 8TS5 and 630 *finish ONLY*.

SERVICE EQUIPMENT

KD304A—BORING JIG KIT**KD304A**

(Complete kit)

The KD304A jig kit is made for boring cut-outs in wooden doors for Fed. Spec. 160 and 161 series cylindrical/tubular locksets, doors $1\frac{3}{8}''$ to $2\frac{1}{4}''$ thick. The KD304A kit includes the boring jig (to drill wood doors for $2\frac{3}{8}''$, $2\frac{3}{4}''$, $3\frac{3}{4}''$, and $5''$ backsets), adaptor for $\frac{3}{8}''$ drill chuck, **KD309** $2\frac{1}{8}''$ bit, **KD318** $1''$ dia. x $9''$ bit, **KD312** face plate marking chisel $1''$, **KD315** face plate marking chisel $1\frac{1}{8}''$, and the **KD325** strike plate locating pin.

To order complete kit specify: **KD304A Kit**. All of the individual kit parts listed above may be ordered separately except for the adaptor chuck and jig.

KD312, KD315—FACE PLATE MARKING CHISELS**KD325—STRIKE PLATE LOCATING PIN****KD315****KD325**

The KD312 face plate marking chisel locates the mortising for the face plate of Federal Spec 160 ($1'' \times 2\frac{1}{4}''$) cylindrical and tubular lockset. The KD315 faceplate marking chisel locates the mortising of the faceplate. Federal Spec 161 ($1\frac{1}{8}'' \times 2\frac{1}{4}''$) cylindrical and tubular locksets. A strike plate locating pin KD325 is available for use in conjunction with Fed. Spec. 161 cylindrical and tubular locksets.

To order designate:

KD312 face plate marking chisel ($1''$).
KD315 face plate marking chisel ($1\frac{1}{8}''$).
KD325 strike plate locating pin.

For more information on BEST's full line of security solutions visit our web site at www.stanleysecuritysolutions.com or call 1-317-849-2250 for the name of the Best Access Systems office nearest you.

Product information contained in this catalog has been compiled and presented with as much care and completeness as is reasonably possible. Errors or mistakes may be present, and in many cases, reliance has been placed on information supplied by other manufacturers which may be in error or which may be subject to changes or modifications by the manufacturer without notice and without obligation. Therefore, no guarantee can be made or should be assumed or implied with regards to product information contained in this catalog. Peaks® is a registered trademark of KABA® High Security Locks Corporation.

Product Warranty – Best Access Systems warrants that all of its products sold under its trade name "BEST" are free of defects in materials, workmanship and operation, normal wear and tear excepted, for a period of **three years** from the date of sale to the original purchaser.

Concerning Proper Installation: Installation instructions for any Best Access Systems product should be carefully followed for proper operation of the installed product. If improperly installed, malfunction of the product may result.

Best Access Systems

A Division of Stanley Security Solutions, Inc.
6161 E. 75th Street Indianapolis, Indiana 46250
www.stanleysecuritysolutions.com